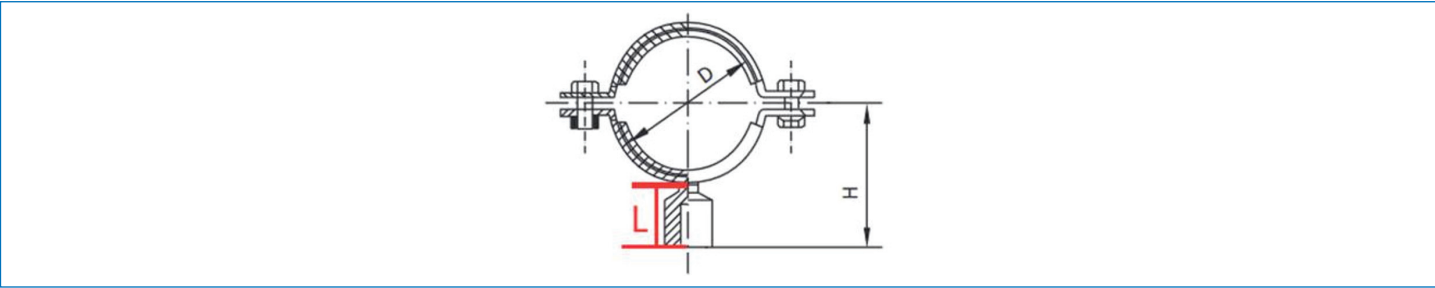
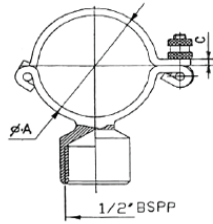


Stainless 304 Pipeclip with Blue Insert M10 Female Boss



Size	●	H	L	Screw Bolt	Article no.	Weight [kg/each]
1/2"	12.7	40	28	M8 x 1.25 x 25	32949	0.17
3/4"	19.05	45	28	M8 x 1.25 x 25	32950	0.17
1"	25.4	48	28	M8 x 1.25 x 25	32951	0.26
1 1/4"	31.8	48	28	M8 x 1.25 x 25	32960	0.26
1 1/2"	38.1	54	28	M8 x 1.25 x 25	32952	0.28
2"	50.8	51	28	M8 x 1.25 x 30	32953	0.3
2 1/2"	63.5	67	28	M8 x 1.25 x 30	32954	0.32
DN65	70	73	28	M8 x 1.25 x 30	32961	0.34
3"	76.1	73	28	M8 x 1.25 x 30	32955	0.34
DN80	85	73	28	M8 x 1.25 x 30	32962	0.36
3"NB	88.9	73	28	M8 x 1.25 x 30	32964	0.36
4"	101.6	86	28	M8 x 1.25 x 30	32956	0.38
4"NB	114.3	90	28	M8 x 1.25 x 30	32965	0.38
5"	129	94	28	M8 x 1.25 x 30	32957	0.42
6"	154	100	28	M8 x 1.25 x 30	32958	0.48
6"NB	168.3	120	28	M8 x 1.25 x 30	32967	0.58
8"	204	140	28	M8 x 1.25 x 35	32963	0.63
10"	254	164	28	M8 x 1.25 x 35	32968	0.73
12"	304	189	28	M8 x 1.25 x 35	32969	0.84
Other dimensions on request						

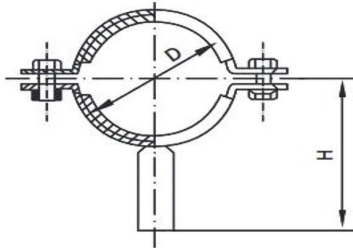
Stainless 304 Pipeclip Hinge BSP Boss



Size mm (Inch)	●	C		Screw Bolt	Article no.	Weight [kg/each]
1/2"	12.7	20		M8 x 16	26685	0.17
3/4"	19.05	20		M8 x 16	26686	0.17
1"	25.4	20		M8 x 16	26687	0.26
1 1/2"	38.1	20		M8 x 16	26688	0.28
2"	50.8	20		M8 x 16	26689	0.3
2 1/2"	63.5	20		M8 x 16	26690	0.32
3"	76.1	20		M8 x 16	26691	0.34
4"	101.6	20		M8 x 16	26692	0.38

Other dimensions on request

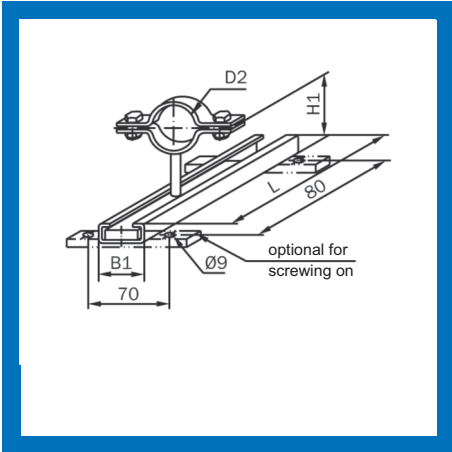
Stainless 304 Pipeclip No Insert Plain Stem



Size mm (Inch)	●	H		Screw Bolt	Article no.	Weight [kg/each]
1"	25.4	90		M8 x 1.25 x 25	32944	0.26
1 1/2"	38.1	90		M8 x 1.25 x 25	32945	0.28
2"	50.8	90		M8 x 1.25 x 30	32946	0.3
2 1/2"	63.5	90		M8 x 1.25 x 30	32947	0.32
3"	76.1	90		M8 x 1.25 x 30	32948	0.34
4"	101.6	90		M8 x 1.25 x 30	32949	0.38

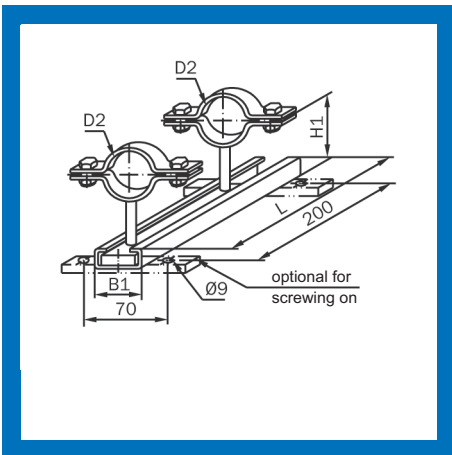
Other dimensions on request

Sliding clamp systems for pipe acc. to DIN EN 10357



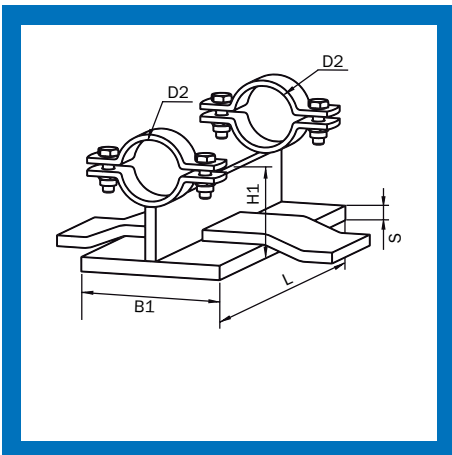
Sliding clamp system, light (one clamp) series A

DN DIN	D2	H1	B1	L	Length offset	Weight [kg]
10	12	64	28	120	50	0.24
15	18	67	28	120	50	0.27
20	22	69	28	120	50	0.28
25	28	72	28	120	50	0.30
32	34	75	28	120	50	0.31
40	40	78	28	120	50	0.32
50	52	84	28	120	50	0.33
65	70	93	28	120	50	0.36
80	85	100.5	28	120	50	0.47
100	104	110	28	120	50	0.52



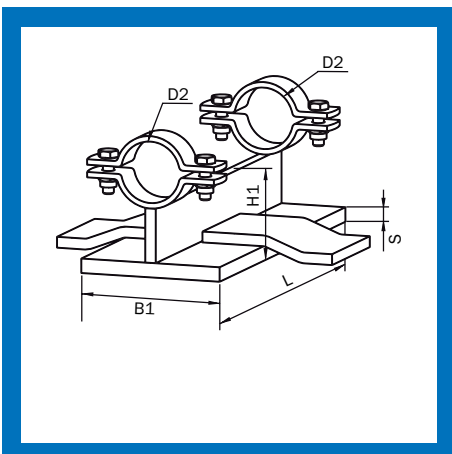
Sliding clamp system, light (two clamps) series A

DN DIN	D2	H1	B1	L	Length offset	Weight [kg]
10	12	64	28	300	100	0.28
15	18	67	28	300	100	0.34
20	22	69	28	300	100	0.36
25	28	72	28	300	100	0.40
32	34	75	28	300	100	0.42
40	40	78	28	300	100	0.44
50	52	84	28	300	100	0.46
65	70	93	28	300	100	0.52
80	85	100.5	28	300	100	0.74
100	104	110	28	300	100	0.84



Sliding clamp system, heavy (two clamps) series A - version A

DN DIN	D2	H1	B1	L	S	Weight [kg]
10	12	66	60	200	6	1.95
15	18	66	60	200	6	1.97
20	22	66	60	200	6	1.98
25	28	66	60	200	6	1.98
32	34	66	60	200	6	2.00
40	40	66	60	200	6	2.00
50	52	66	60	200	6	2.01
65	70	66	60	200	6	2.02
80	85	66	60	200	6	2.08
100	104	66	60	200	6	2.16
125	129	66	60	200	6	2.34
150	154	66	60	200	6	2.89



Sliding clamp system, heavy (two clamps) series A - version B

DN DIN	D2	H1	B1	L	S	Weight [kg]
10	12	85	80	200	5	1.97
15	18	85	80	200	5	1.99
20	22	85	80	200	5	2.00
25	28	85	80	200	5	2.00
32	34	85	80	200	5	2.02
40	40	85	80	200	5	2.02
50	52	85	80	200	5	2.03
65	70	85	80	200	5	2.04
80	85	85	80	200	5	2.10
100	104	85	80	200	5	2.18
125	129	85	80	200	5	2.36
150	154	85	80	200	5	2.91

Sliding clamp systems for pipe acc. to DIN EN 10357

Sliding clamp system, light (one clamp) series A

1.4301 (304)/pol. (for welding on)			1.4301 (304)/matt (for welding on)		1.4301 (304)/pol. (for screwing on)		1.4301 (304)/matt (for screwing on)	
DN DIN	Price/EUR	Article no.	Price/EUR	Article no.	Price/EUR	Article no.	Price/EUR	Article no.
10	19.36	70051 000 010 10	19.36	70051 000 010 20	25.11	72051 000 010 10	25.11	72051 000 010 20
15	19.36	70051 000 015 10	19.36	70051 000 015 20	25.11	72051 000 015 10	25.11	72051 000 015 20
20	19.36	70051 000 020 10	19.36	70051 000 020 20	25.11	72051 000 020 10	25.11	72051 000 020 20
25	19.03	70051 000 025 10	19.03	70051 000 025 20	24.75	72051 000 025 10	24.75	72051 000 025 20
32	19.23	70051 000 032 10	19.23	70051 000 032 20	24.96	72051 000 032 10	24.96	72051 000 032 20
40	19.46	70051 000 040 10	19.46	70051 000 040 20	25.19	72051 000 040 10	25.19	72051 000 040 20
50	20.00	70051 000 050 10	20.00	70051 000 050 20	25.72	72051 000 050 10	25.72	72051 000 050 20
65	20.74	70051 000 065 10	20.74	70051 000 065 20	26.46	72051 000 065 10	26.46	72051 000 065 20
80	22.17	70051 000 080 10	22.17	70051 000 080 20	27.90	72051 000 080 10	27.90	72051 000 080 20
100	22.96	70051 000 100 10	22.96	70051 000 100 20	28.69	72051 000 100 10	28.69	72051 000 100 20

Sliding clamp system, light (two clamps) series A

1.4301 (304)/pol. (for welding on)			1.4301 (304)/matt (for welding on)		1.4301 (304)/pol. (for screwing on)		1.4301 (304)/matt (for screwing on)	
DN DIN	Price/EUR	Article no.	Price/EUR	Article no.	Price/EUR	Article no.	Price/EUR	Article no.
10	27.54	71051 000 010 10	27.54	71051 000 010 20	33.29	73051 000 010 10	33.29	73051 000 010 20
15	27.54	71051 000 015 10	27.54	71051 000 015 20	33.29	73051 000 015 10	33.29	73051 000 015 20
20	27.54	71051 000 020 10	27.54	71051 000 020 20	33.29	73051 000 020 10	33.29	73051 000 020 20
25	26.82	71051 000 025 10	26.82	71051 000 025 20	32.55	73051 000 025 10	32.55	73051 000 025 20
32	27.28	71051 000 032 10	27.28	71051 000 032 20	33.01	73051 000 032 10	33.01	73051 000 032 20
40	27.74	71051 000 040 10	27.74	71051 000 040 20	33.47	73051 000 040 10	33.47	73051 000 040 20
50	28.82	71051 000 050 10	28.82	71051 000 050 20	34.54	73051 000 050 10	34.54	73051 000 050 20
65	30.30	71051 000 065 10	30.30	71051 000 065 20	36.03	73051 000 065 10	36.03	73051 000 065 20
80	33.11	71051 000 080 10	33.11	71051 000 080 20	38.84	73051 000 080 10	38.84	73051 000 080 20
100	34.67	71051 000 100 10	34.67	71051 000 100 20	40.42	73051 000 100 10	40.42	73051 000 100 20

Sliding clamp system, heavy (two clamps) series A – version A

1.4301 (304)/matt		
DN DIN	Price/EUR	Article no.
10	30.60	90S00 908 003 43
15	30.60	90S00 908 003 44
20	30.60	90S00 908 003 45
25	30.60	90S00 908 003 46
32	30.80	90S00 908 003 47
40	31.05	90S00 908 003 48
50	31.30	90S00 908 003 49
65	32.40	90S00 908 003 50
80	35.85	90S00 908 003 51
100	36.95	90S00 908 003 52
125	44.10	90S00 908 003 53
150	49.05	90S00 908 003 54

Sliding clamp system, heavy (two clamps) series A – version B

1.4301 (304)/matt		
DN DIN	Price/EUR	Article no.
10	41.10	90S00 908 003 30
15	41.10	90S00 908 003 31
20	41.10	90S00 908 003 32
25	41.10	90S00 908 003 33
32	41.70	90S00 908 003 34
40	42.50	90S00 908 003 35
50	43.70	90S00 908 003 36
65	44.35	90S00 908 003 37
80	44.95	90S00 908 003 38
100	46.75	90S00 908 003 39
125	50.95	90S00 908 003 16
150	56.90	90S00 908 003 29