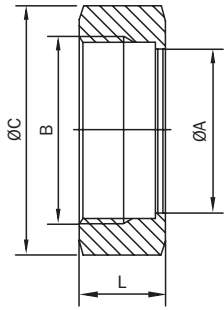
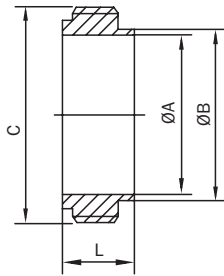


IDF Union



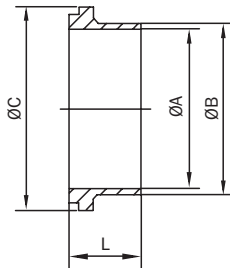
Hex Nut - BS4825:Part 4 IDF

Size mm DN	A	B	C	L	Weight [kg]	AISI 304 Article No.
1"	30.5	34 X 8	46	30	0.13	26245
1 1/2"	43.5	47 X 8	60	30	0.20	26246
2"	57	61 X 8	75	30	0.25	26247
2 1/2"	70.7	75 X 8	90	30	0.34	26248
3"	83.3	88 X 8	106	30	0.41	26249
4"	112	122 x 6	133	34.9	0.50	26250



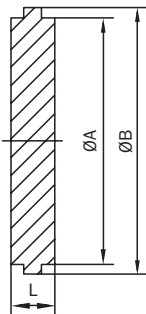
Male - BS4825:Part 4 IDF

Size mm DN	A	C	B	L	Weight [kg]	AISI 316L Article No.
1"	22.1	37.1 x 8T	25.4	21.5	0.08	26275
1 1/2"	34.8	50.65 x 8T	38	21.5	0.13	26276
2"	47.5	64.1 x 8T	51	21.5	0.16	26277
2 1/2"	60.2	77.7 x 8T	63.5	21.5	0.21	26278
3"	72.9	91.1 x 8T	76.2	21.5	0.26	26279
4"	97.6	125.69 x 6T	101.6	30	0.68	26280



Liner - BS4825:Part 4 IDF

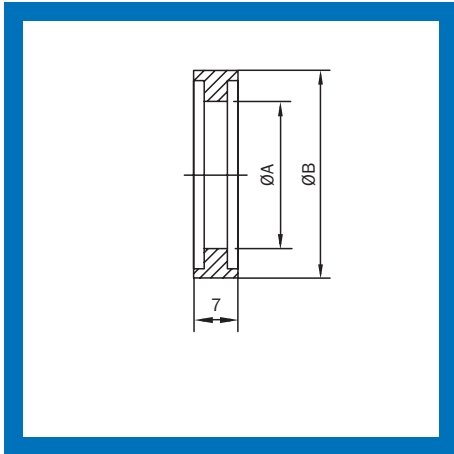
Size mm DN	A	B	C	L	Weight [kg]	AISI 316L Article No.
1"	22.6	25.4	33.8	21.5	0.05	26250
1 1/2"	35.6	38.1	47	21.5	0.08	26252
2"	48.6	51	60.5	21.5	0.11	26253
2 1/2"	60.3	63.5	74	21.5	0.15	26254
3"	72.9	76.2	87.5	21.5	0.18	26255
4"	97.6	101.6	120.6	30	0.33	26256



Blank Liner - BS4825:Part 4 IDF

Size mm DN	A	B	L	Weight [kg]	AISI 316L Article No.
1"	29.2	33.8	10.5	0.13	26281
1 1/2"	42.7	47	10.5	0.22	26282
2"	56.2	60.5	10.5	0.35	26283
2 1/2"	69.9	74	10.5	0.67	26412
3"	82.6	87.5	10.5	0.85	26284
4"	111.1	120.6	12.6	1.10	26285

IDF Union



Seal Ring IDF

Size mm DN	A	B	Weight [kg]	EPDM Article No.	NITRILE Article No.	VITON® Article No.
1"	23	32.5		26263	26257	32044
1 1/2"	36	46		26264	26258	32045
2"	49	59.5		26265	26259	32046
2 1/2"	60.7	73.2		26266	26260	32047
3"	73.2	86.5		26267	26261	32048
4"	98	119.6		26268	26262	32049