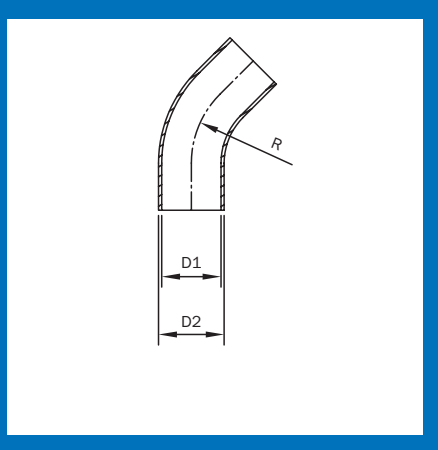


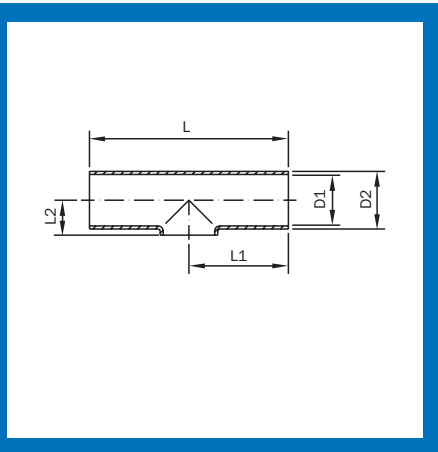
Fittings

Bend 45° long SMS/ISO



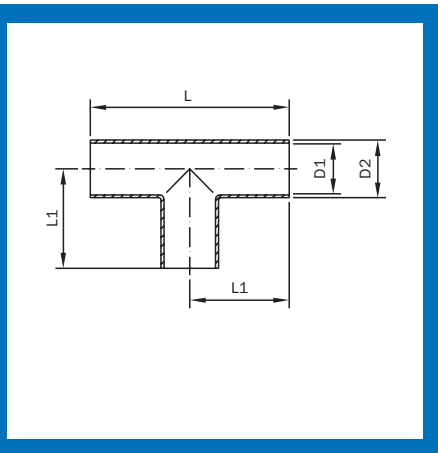
Size mm DN	D1	D2	R	Weight [kg]	AISI 304L matt Article No.	AISI 304L satin Article No.	AISI 316L matt Article No.	AISI 316L satin Article No.
1"	25	22.6	25	0.049	44011	44111	54011	54111
1 1/2"	38	15.83	38	0.089	44012	44112	54012	54112
2"	51	48.6	51	0.162	44013	44113	54013	54113
2 1/2"	63.5	60.3	64	0.301	44014	44114	54014	54114
3"	76.1	72.1	76	0.524	44015	44115	54015	54115
4"	101.6	97.6	150	1.045	44016	44116	54016	54116

Tee short SMS/ISO



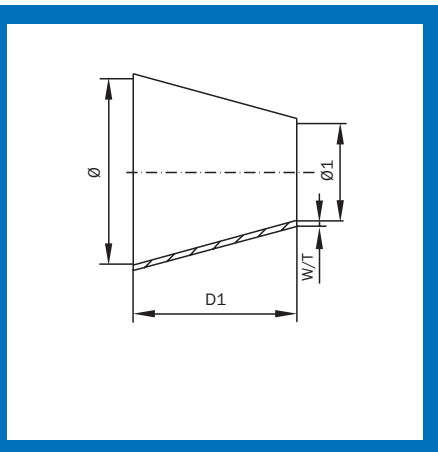
Size mm DN	D1	D2	L	L1	L2	Weight [kg]	AISI 304L matt Article No.	AISI 304L satin Article No.	AISI 316L matt Article No.	AISI 316L satin Article No.
1"	22.6	25	110	55	14	0.07	44017	44117	54017	54117
1 1/4"	29.6	32	128	64	18	0.13	44018	44118	54018	54118
1 1/2"	35.6	38	140	70	22	0.15	44019	44119	54019	54119
2"	48.6	51	164	82	29	0.24	44020	44120	54020	54120
2 1/2"	60.3	63.5	210	105	35	0.46	44021	44121	54021	54121
3"	72.8	76	220	110	41	0.72	44022	54122	54022	54122
4"	97.6	101.6	300	150	55	1.52	44023	44123	54023	54123

Tee long SMS/ISO



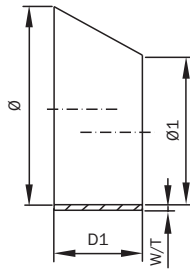
Size mm DN	D1	D2	L	L1	Weight [kg]	AISI 304L matt Article No.	AISI 304L satin Article No.	AISI 316L matt Article No.	AISI 316L satin Article No.
1"	22.6	25	110	55	0.09	44024	44124	54024	54124
1 1/4"	29.6	32	128	64	0.17	44025	44125	54025	54125
1 1/2"	35.6	38	140	70	0.18	44026	44126	54026	54126
2"	48.6	51	164	82	0.30	44027	44127	54027	54127
2 1/2"	60.3	63.5	210	105	0.61	44028	44128	54028	54128
3"	72.8	76	220	110	1.07	44029	44129	54029	54129
4"	97.6	101.6	300	150	1.97	44030	44130	54030	54130

Reducer concentric SMS/ISO



Size mm (inch)	Ø	Ø1	W/T	D1	Weight [kg]	AISI 304L matt Article No.	AISI 304L satin Article No.	AISI 316L matt Article No.	AISI 316L satin Article No.
38/25	38	25	1.2	44	0.05	44031	44131	54031	54131
51/25	51	25	1.2	86	0.10	44032	44132	54032	54132
51/38	51	38	1.2	42	0.07	44033	44133	54033	54133
63.5/38	63.5	38	1.2	82	0.12	44034	44134	54034	54134
63.5/51	63.5	51	1.2	40	0.08	44035	44135	54035	54135
76.1/38	76.1	38	1.2	71	0.20	44036	44136	54036	54136
76.1/51	76.1	51	1.6	79	0.21	44037	44137	54037	54137
76.1/63.5	76.1	63.5	2	39	0.11	44038	44138	54038	54138
101.6/51	101.6	51	2	95	0.35	44039	44139	54039	54139
101.6/63.5	101.6	63.5	2	120	0.40	44040	44140	54040	54140
101.6/76.1	101.6	76.1	2	81	0.35	44041	44141	54041	54141

Fittings



Reducer eccentric SMS/ISO

Size mm (inch)	Ø	Ø1	W/T	D1	Weight [kg]	AISI 304L matt	AISI 304L satin	AISI 316L matt	AISI 316L satin
						Article No.	Article No.	Article No.	Article No.
38/25	38	25	1.2	44	0.05	44042	44142	54042	54142
51/25	51	25	1.2	86	0.10	44043	44143	54043	54143
51/38	51	38	1.2	42	0.07	44044	44144	54044	54144
63.5/38	63.5	38	1.2	82	0.12	44045	44145	54045	54145
63.5/51	63.5	51	1.2	40	0.08	44046	44146	54046	54146
76.1/38	76.1	38	1.2	71	0.20	44047	44147	54047	54147
76.1/51	76.1	51	1.2	79	0.21	44048	44148	54048	54148
76.1/63.5	76.1	63.5	1.5	39	0.11	44049	44149	54049	54149
101.6/51	101.6	51	2	95	0.35	44050	44150	54050	54150
101.6/63.5	101.6	63.5	2	120	0.40	44051	44151	54051	54151
101.6/76.1	101.6	76.1	2	81	0.35	44052	44152	54052	54152