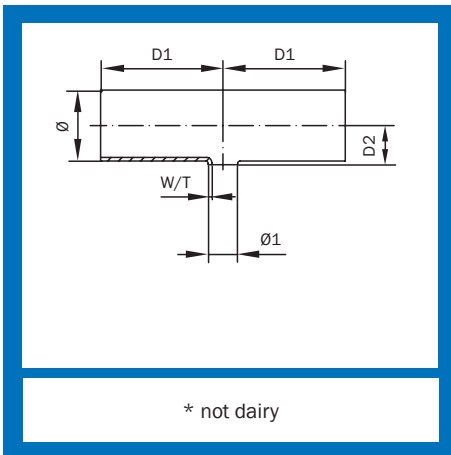
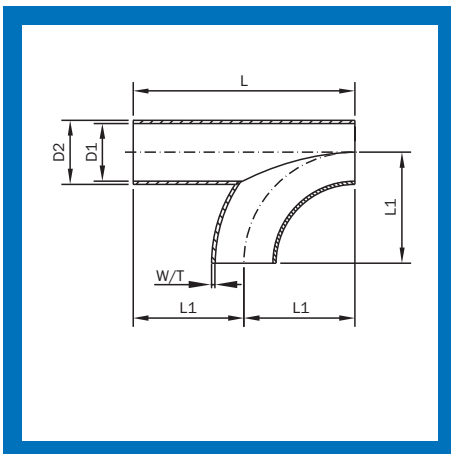


Fittings



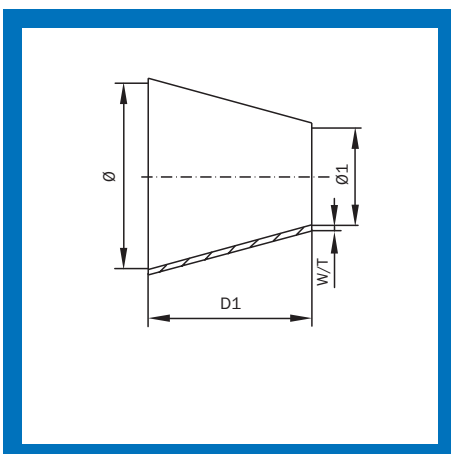
BS Reducing Tee short (pulled)

Size mm (inch)	Ø	Ø1	W/T	D1	D2	Weight [kg]			AISI 316L satin
									Article No.
25.4/12.7	25.4	12.7	1.6	44	27	0.11			53218
25.4/19.05	25.4	19.05	1.6	44	27	0.11			53219
38.1/25.4	38.1	25.4	1.6	64	22	0.25			53014
50.8/25.4	50.8	25.4	1.6	89	29	0.35			53015
50.8/38.1	50.8	38.1	1.6	89	29	0.35			53016
63.5/25.4	63.5	25.4	1.6	114	35	0.76			53017
63.5/38.1	63.5	38.1	1.6	114	35	0.76			53018
63.5/50.8	63.5	50.8	1.6	114	35	0.76			53019
76.1/25.4	76.1	25.4	1.6	134	41	0.92			53020
76.1/38.1	76.1	38.1	1.6	134	41	0.92			53021
76.1/50.8	76.1	50.8	1.6	134	41	0.92			53022
76.1/63.5	76.1	63.5	1.6	134	41	0.92			53023
101.6/25.4	101.6	25.4	2	174	55	1.85			53024
101.6/38.1	101.6	38.1	2	174	55	1.85			53025
101.6/50.8	101.6	50.8	2	174	55	1.85			53026
101.6/63.5	101.6	63.5	2	174	55	1.85			53027
101.6/76.1	101.6	76.1	2	174	55	1.85			53028
*154/76.1	154	76.1	2	143	84	2.00			53029
*154/101.6	154	101.6	2	143	84	2.00			53030



BS Swept Tee

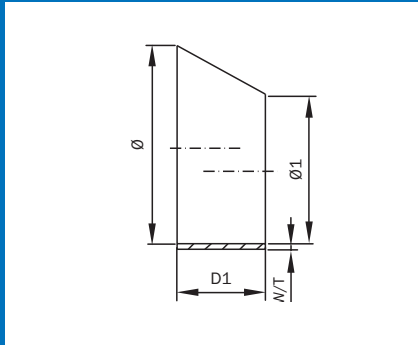
Size mm (inch)	D1	D2	W/T	L	L1	Weight [kg]		AISI 304L satin	AISI 316L satin
								Article No.	Article No.
25.4	22.22	25.4	1.6	88	44	0.11			53200
38.1	34.9	38.1	1.6	128	64	0.25			53201
50.8	47.6	50.8	1.6	178	89	0.48			53202
63.5	60.3	63.5	1.6	228	114	0.76			53203
76.1	72.9	76.1	1.6	268	134	1.08			53204
101.6	97.6	101.6	2	348	174	2.24			53205
104	100	104	2	348	174	2.24		43200	53206
154	150	154	2	450	225	4.29		43201	53207
204	200	204	2	600	300	8.71		43202	53208



BS Reducer concentric

Size mm (inch)	Ø	Ø1	W/T	D1	Weight [kg]			AISI 316L matt	AISI 316L satin
								Article No.	Article No.
25.4/12.7	25.4	12.7	1.6	21	0.02			52121	53121
25.4/19.05	25.4	19.05	1.6	15	0.02			52122	53122
38.1/25.4	38.1	25.4	1.6	29	0.04			52123	53123
50.8/25.4	50.8	25.4	1.6	53	0.08			52124	53124
50.8/38.1	50.8	38.1	1.6	41	0.07			52125	53125
63.5/25.4	63.5	25.4	1.6	82	0.14			52126	53126
63.5/38.1	63.5	38.1	1.6	64	0.13			52127	53127
63.5/50.8	63.5	50.8	1.6	40	0.09			52128	53128
76.1/25.4	76.1	25.4	1.6	110	0.22			52129	53129
76.1/38.1	76.1	38.1	1.6	81	0.19			52130	53130
76.1/50.8	76.1	50.8	1.6	55	0.14			52131	53131
76.1/63.5	76.1	63.5	1.6	41	0.12			52132	53132
101.6/25.4	101.6	25.4	2	160	0.51			52133	53133
101.6/38.1	101.6	38.1	2	135	0.48			52134	53134
101.6/50.8	101.6	50.8	2	106	0.41			52135	53135
101.6/63.5	101.6	63.5	2	76	0.32			52136	53136
101.6/76.1	101.6	76.1	2	53	0.24			52137	53137
129/101.6	129	101.6	2	82.2	0.45			52138	53138
154/76.1	154	76.1	2	233.7	1.56			52139	53139
154/101.6	154	101.6	2	157.2	1.28			52140	53140

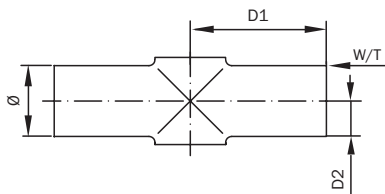
Fittings



* not dairy

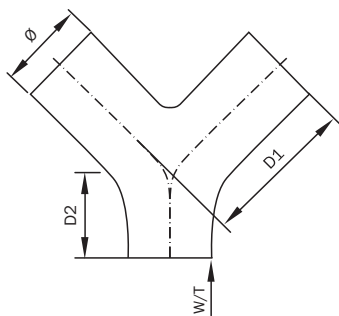
BS Reducer eccentric

Size mm (inch)	ø	ø1	W/T	D1	Weight [kg]			AISI 316L Matt	AISI 316L Satin
								Article No.	Article No.
25.4/12.7	25.4	12.7	1.6	23	0.02			52141	53141
25.4/19.05	25.4	19.05	1.6	22	0.01			52142	53142
38.1/25.4	38.1	25.4	1.6	35	0.08			52143	53143
50.8/25.4	50.8	25.4	1.6	54	0.07			52144	53144
50.8/38.1	50.8	38.1	1.6	36	0.06			52145	53145
63.5/25.4	63.5	25.4	1.6	76	0.11			52146	53146
63.5/38.1	63.5	38.1	1.6	66	0.13			52147	53147
63.5/50.8	63.5	50.8	1.6	35	0.08			52148	53148
76.1/25.4	76.1	25.4	1.6	112	0.15			52149	53149
76.1/38.1	76.1	38.1	1.6	78	0.17			52150	53150
76.1/50.8	76.1	50.8	1.6	66	0.17			52151	53151
76.1/63.5	76.1	63.5	1.6	44	0.12			52152	53152
101.6/25.4	101.6	25.4	2	155	0.45			52153	53153
101.6/38.1	101.6	38.1	2	122	0.40			52154	53154
101.6/50.8	101.6	50.8	2	97	0.36			52155	53155
101.6/63.5	101.6	63.5	2	73	0.30			52156	53156
101.6/76.1	101.6	76.1	2	77	0.34			52157	53157
*154/76.1	154	76.1	2	233.7	1.48			52158	53158
*154/101.6	154	101.6	2	157.2	1.36			52159	53159



Crosses pulled

Size mm (inch)	ø	W/T	D1	D2	Weight [kg]			AISI 316L Satin
								Article No.
25.4	25.4	1.6	44	15	0.06			53400
38.1	38.1	1.6	64	22	0.17			53401
50.8	50.8	1.6	89	28	0.33			53402
63.5	63.5	1.6	114	35	0.55			53403
76.1	76.1	1.6	134	41	0.77			53404
101.6	101.6	2	174	54	1.56			53405



Y Pieces

Size mm (inch)	ø	W/T	D1	D2	Weight [kg]			AISI 316L Satin
								Article No.
25.4	25.4	1.6	44	22	0.09			53300
38.1	38.1	1.6	64	31	0.21			53301
50.8	50.8	1.6	89	44	0.40			53302
63.5	63.5	1.6	114	58	0.64			53303
76.1	76.1	1.6	134	67	0.89			53304
101.6	101.6	2	174	85	1.92			53305