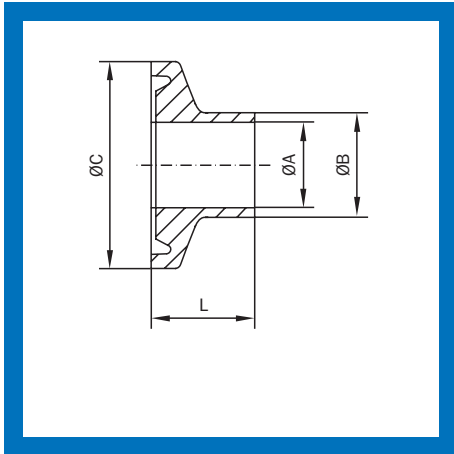
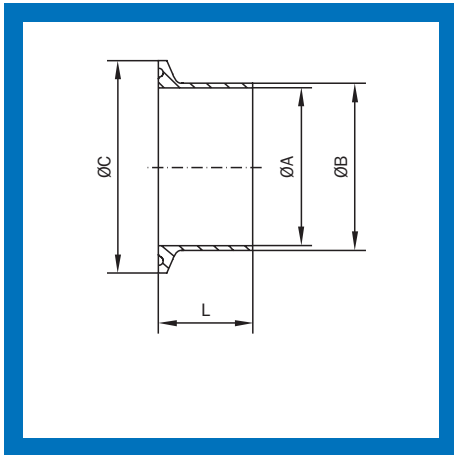


Clamps



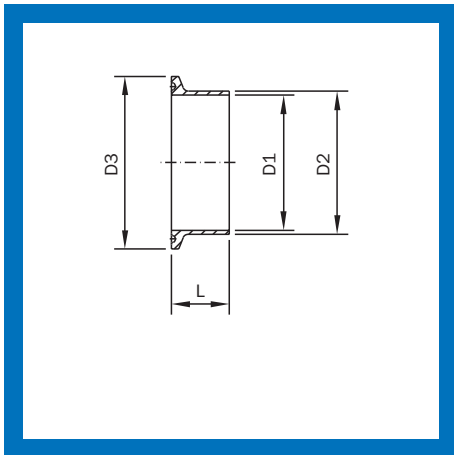
Welding Ferrule - BS4825 Part 3

Size mm DN	A	B	C	L	Weight [kg]	AISI 316L
						Article No.
1/2"	9.4	12.7	25	21.5	0.02	26698
3/4"	15.75	19.05	25	21.5	0.02	32062



Welding Ferrule - BS4825 Part 3

Size mm DN	A	B	C	L	Weight [kg]	AISI 316L
						Article No.
1"	22.1	25.4	50.5	21.5	0.08	26699
1 1/2"	34.8	38.1	50.5	21.5	0.06	26700
2"	47.5	50.8	64	21.5	0.08	26701
2 1/2"	60.2	63.5	77.5	21.5	0.10	26702
3"	72.9	76.2	91	21.5	0.13	26703
4"	97.4	101.6	119	21.5	0.21	26704
125	125	129	144	28	0.41	32637
150	150	154	166.8	28	0.38	32638
200	200	204	217.6	28	0.52	32639
250	250	254	268.4	28	0.65	32640
300	300	304	319.2	28	0.81	32641



Welding Ferrule DIN 32676

Size mm DN	D1	D2	D3	L	Weight [kg]	AISI 316L
						Article No.
6	6	8	25	12.7	0.02	10508 000 006 30
8	8	10	25	12.7	0.02	10508 000 008 30
10	10	13	34	18	0.03	10508 000 010 31
15	16	19	34	18	0.03	10508 000 015 31
20	20	23	34	18	0.03	10508 000 020 31
25	26	29	50.5	21.5	0.07	10508 000 025 31
32	32	35	50.5	21.5	0.06	10508 000 032 31
40	38	41	50.5	21.5	0.05	10508 000 040 31
50	50	53	64	21.5	0.07	10508 000 050 31
65	66	70	91	28	0.18	10508 000 065 30
80	81	85	106	28	0.22	10508 000 080 30
100	100	104	119	28	0.22	10508 000 100 30
125	125	129	155	28	0.52	10508 000 125 30
150	150	154	183	28	0.69	10508 000 150 30
200	200	204	233.5	28	0.92	10508 000 200 30