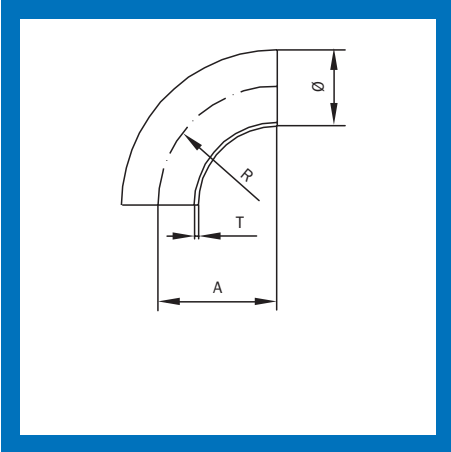
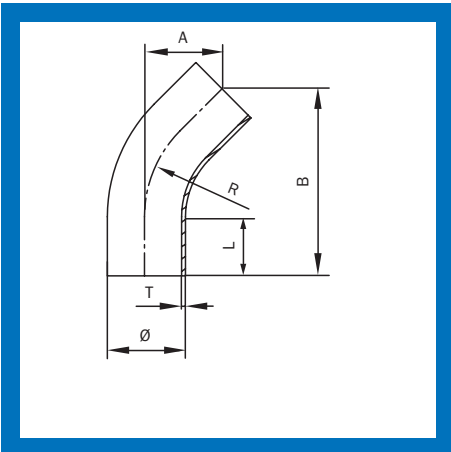


Fittings



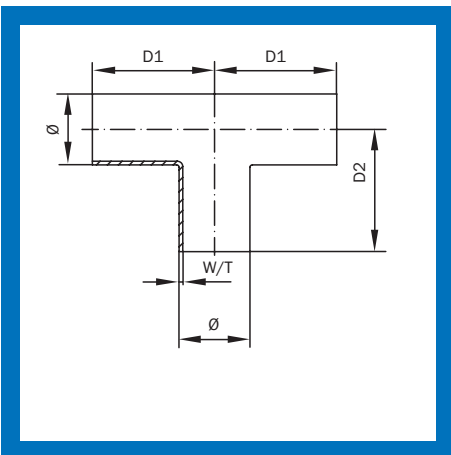
BS 90° Bend 3XD

Size mm (inch)	Ø	T	R	A	Weight [kg]				AISI 316L satin
									Article No.
25.4	25.4	1.6	75.9	115	0.18				51027
38.1	38.1	1.6	114.3	140	0.33				51028
50.8	50.8	1.6	153	225	0.77				51029
63.5	63.5	1.6	190.5	230	0.95				51030
76.2	76.2	1.6	228.6	240	1.16				51031
101.6	101.6	2	304.8	365.5	3.13				51032



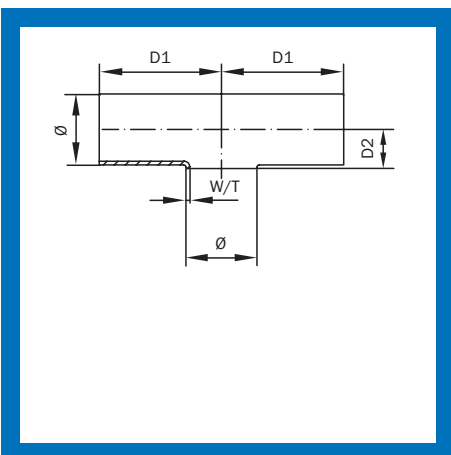
BS 45° Bend long

Size mm (inch)	Ø	T	R	A	L	Weight [kg]	AISI 304L matt	AISI 304L satin	AISI 316L matt	AISI 316L satin
							Article No.	Article No.	Article No.	Article No.
25.4	25.4	1.6	37.5	21.3	14.6	0.07	40076	41076	50076	51076
38.1	38.1	1.6	57	29.2	17.7	0.15	40077	41077	50077	51077
50.8	50.8	1.6	76.5	41.5	27	0.23	40078	41078	50078	51078
63.5	63.5	1.6	95.3	53.8	36.7	0.40	40079	41079	50079	51079
76.2	76.2	1.6	114	63.8	42.9	0.60	40080	41080	50080	51080
101.6	101.6	2	153	86.4	59.2	1.10	40081	41081	50081	51081



BS Equal Tee

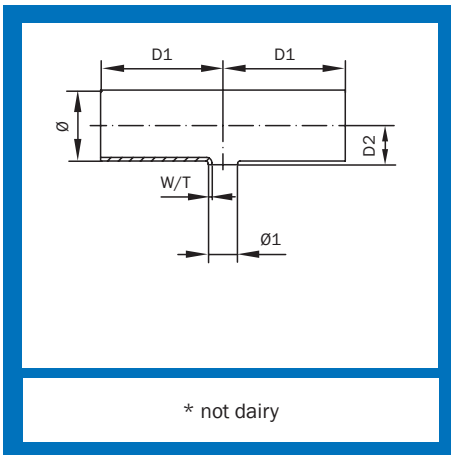
Size mm (inch)	Ø	W/T	D1	D2	Weight [kg]		AISI 304L satin	AISI 316L matt	AISI 316L satin
							Article No.	Article No.	Article No.
12.7	12.7	1.6	35	35	0.04				53000
19.05	19.05	1.6	35	35	0.05				53001
25.4	25.4	1.6	44	44	0.13		43002	52002	53002
38.1	38.1	1.6	64	64	0.25		43003	52003	53003
50.8	50.8	1.6	89	89	0.40		43004	52004	53004
63.5	63.5	1.6	114	114	0.68		43005	52005	53005
76.2	76.2	1.6	134	134	1.02		43006	52006	53006
101.6	101.6	2	174	174	2.20		43007	52007	53007



BS Equal Tee short (pulled)

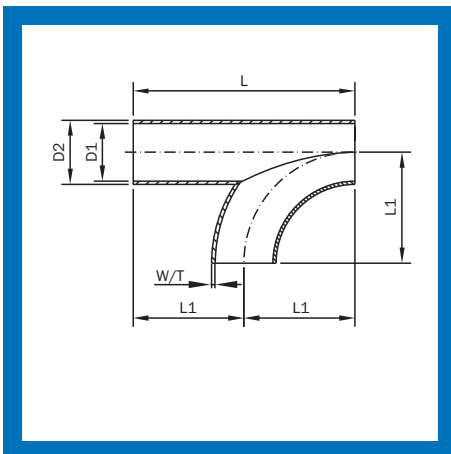
Size mm (inch)	Ø	W/T	D1	D2	Weight [kg]		AISI 304L satin	AISI 316L matt	AISI 316L satin
							Article No.	Article No.	Article No.
25.4	25.4	1.6	44	14	0.11		43008	52008	53008
38.1	38.1	1.6	64	19.9/22	0.25		43009	52009	53009
50.8	50.8	1.6	89	27.6/29	0.35		43010	52010	53010
63.5	63.5	1.6	114	34.9	0.46		43011	52011	53011
76.2	76.2	1.6	134	40.9	0.92		43012	52012	53012
101.6	101.6	2	174	54.7	1.85		43013	52013	53013

Fittings



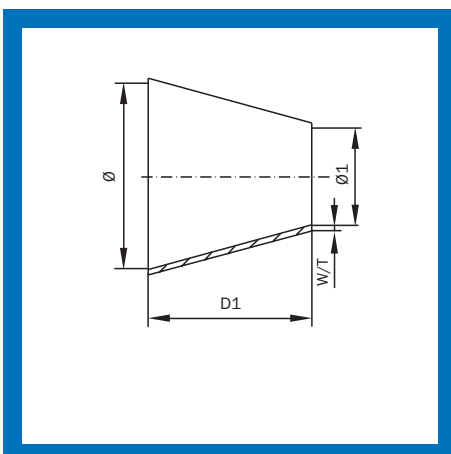
BS Reducing Tee short (pulled)

Size mm (inch)	Ø	Ø1	W/T	D1	D2	Weight [kg]			AISI 316L satin
									Article No.
25.4/12.7	25.4	12.7	1.6	44	27	0.11			53218
25.4/19.05	25.4	19.05	1.6	44	27	0.11			53219
38.1/25.4	38.1	25.4	1.6	64	22	0.25			53014
50.8/25.4	50.8	25.4	1.6	89	29	0.35			53015
50.8/38.1	50.8	38.1	1.6	89	29	0.35			53016
63.5/25.4	63.5	25.4	1.6	114	35	0.76			53017
63.5/38.1	63.5	38.1	1.6	114	35	0.76			53018
63.5/50.8	63.5	50.8	1.6	114	35	0.76			53019
76.1/25.4	76.1	25.4	1.6	134	41	0.92			53020
76.1/38.1	76.1	38.1	1.6	134	41	0.92			53021
76.1/50.8	76.1	50.8	1.6	134	41	0.92			53022
76.1/63.5	76.1	63.5	1.6	134	41	0.92			53023
101.6/25.4	101.6	25.4	2	174	55	1.85			53024
101.6/38.1	101.6	38.1	2	174	55	1.85			53025
101.6/50.8	101.6	50.8	2	174	55	1.85			53026
101.6/63.5	101.6	63.5	2	174	55	1.85			53027
101.6/76.1	101.6	76.1	2	174	55	1.85			53028
*154/76.1	154	76.1	2	143	84	2.00			53029
*154/101.6	154	101.6	2	143	84	2.00			53030



BS Swept Tee

Size mm (inch)	D1	D2	W/T	L	L1	Weight [kg]		AISI 304L satin	AISI 316L satin
								Article No.	Article No.
25.4	22.22	25.4	1.6	88	44	0.11			53200
38.1	34.9	38.1	1.6	128	64	0.25			53201
50.8	47.6	50.8	1.6	178	89	0.48			53202
63.5	60.3	63.5	1.6	228	114	0.76			53203
76.1	72.9	76.1	1.6	268	134	1.08			53204
101.6	97.6	101.6	2	348	174	2.24			53205
104	100	104	2	348	174	2.24		43200	53206
154	150	154	2	450	225	4.29		43201	53207
204	200	204	2	600	300	8.71		43202	53208



BS Reducer concentric

Size mm (inch)	Ø	Ø1	W/T	D1	Weight [kg]			AISI 316L matt	AISI 316L satin
								Article No.	Article No.
25.4/12.7	25.4	12.7	1.6	21	0.02			52121	53121
25.4/19.05	25.4	19.05	1.6	15	0.02			52122	53122
38.1/25.4	38.1	25.4	1.6	29	0.04			52123	53123
50.8/25.4	50.8	25.4	1.6	53	0.08			52124	53124
50.8/38.1	50.8	38.1	1.6	41	0.07			52125	53125
63.5/25.4	63.5	25.4	1.6	82	0.14			52126	53126
63.5/38.1	63.5	38.1	1.6	64	0.13			52127	53127
63.5/50.8	63.5	50.8	1.6	40	0.09			52128	53128
76.1/25.4	76.1	25.4	1.6	110	0.22			52129	53129
76.1/38.1	76.1	38.1	1.6	81	0.19			52130	53130
76.1/50.8	76.1	50.8	1.6	55	0.14			52131	53131
76.1/63.5	76.1	63.5	1.6	41	0.12			52132	53132
101.6/25.4	101.6	25.4	2	160	0.51			52133	53133
101.6/38.1	101.6	38.1	2	135	0.48			52134	53134
101.6/50.8	101.6	50.8	2	106	0.41			52135	53135
101.6/63.5	101.6	63.5	2	76	0.32			52136	53136
101.6/76.1	101.6	76.1	2	53	0.24			52137	53137
129/101.6	129	101.6	2	82.2	0.45			52138	53138
154/76.1	154	76.1	2	233.7	1.56			52139	53139
154/101.6	154	101.6	2	157.2	1.28			52140	53140